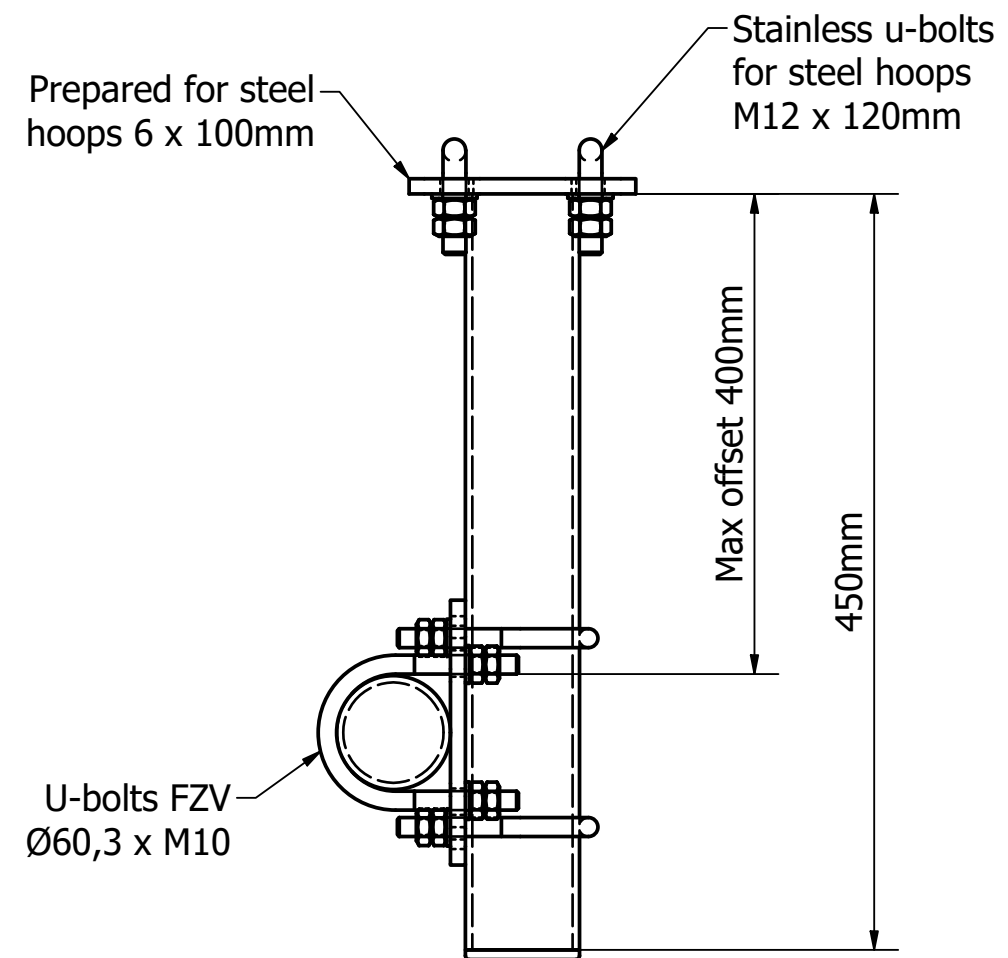



Steel quality
 Steel: s235/s355
 U-bolts: s355 FZV/stainless A2

Performance
 Max vertical load from equipment per pole: 225kg
 Max horizontal load from equipment per pole: 4,5kN
 Max geometric equipment area per pole: 2,25m²
 Max installation height: 70meter
 Terrain classification: TC1
 Reference wind speed: 27m/s
 M10 nut tightening torque: 30Nm
 M10 2nd nut tightening torque: 47Nm
 M12 nut tightening torque: 30Nm
 M12 2nd nut tightening torque: 48Nm

Installation and maintenance guides are available on our website www.telecomsteel.com



Item numbers				
Size	2500mm	3000mm	3500mm	4000mm
	46100-E	46110-E	46120-E	46130-E

Designed by ABP	Checked by	Approved by	Date	Date 19-09-2024
 TELECOMSTEEL DANISH DESIGN & QUALITY			SP steel hoop adj 400mm_extra bracket	
			Revision B	Sheet 1 / 1