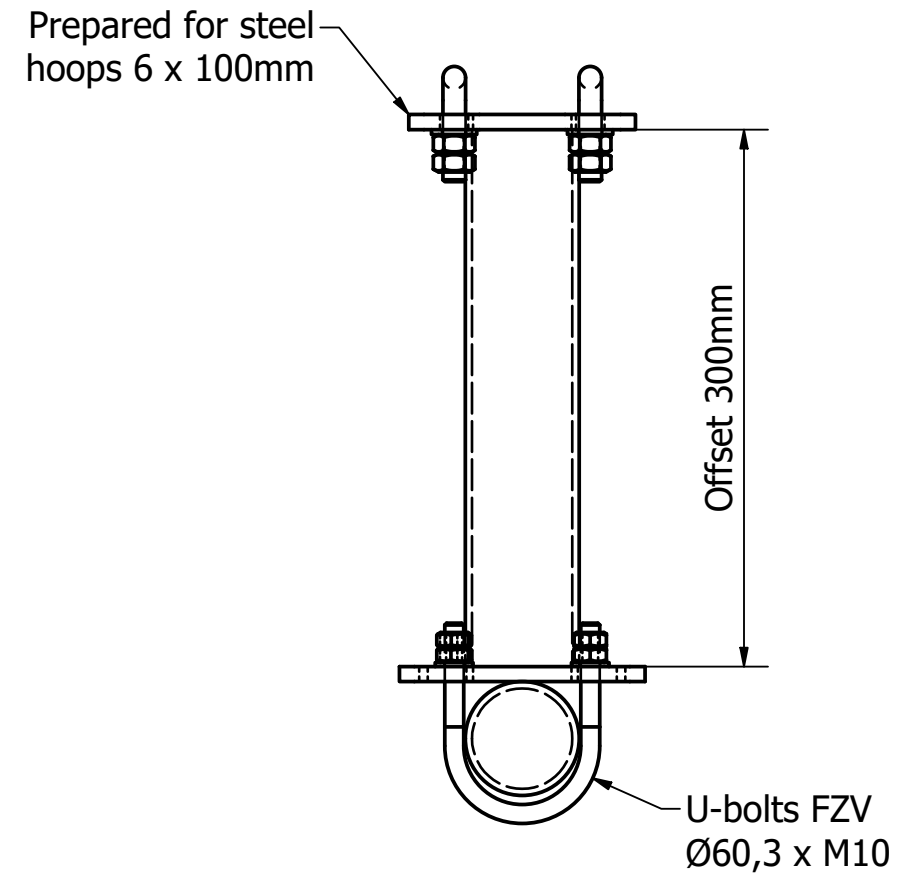



Steel quality  
 Steel: s235/s355  
 U-bolts: s355 FZV/stainless A2

Performance  
 Max vertical load from equipment per pole: 260kg  
 Max horizontal load from equipment per pole: 5,0kN  
 Max geometric equipment area per pole: 2,5m<sup>2</sup>  
 Max installation height: 70meter  
 Terrain classification: TC1  
 Reference wind speed: 27m/s  
 M10 nut tightening torque: 30Nm  
 M10 2nd nut tightening torque: 47Nm  
 M12 nut tightening torque: 30Nm  
 M12 2nd nut tightening torque: 48Nm

Installation and maintenance guides are available on our website [www.telecomsteel.com](http://www.telecomsteel.com)



Item numbers				
Size	2500mm	3000mm	3500mm	4000mm
	46030-E	46040-E	46050-E	46060-E

Designed by ABP	Checked by	Approved by	Date	Date 18-09-2024	
 <b>TELECOMSTEEL</b> DANISH DESIGN & QUALITY			SP steel hoops 300mm_extra bracket		
			Revision B	Sheet 1 / 1	