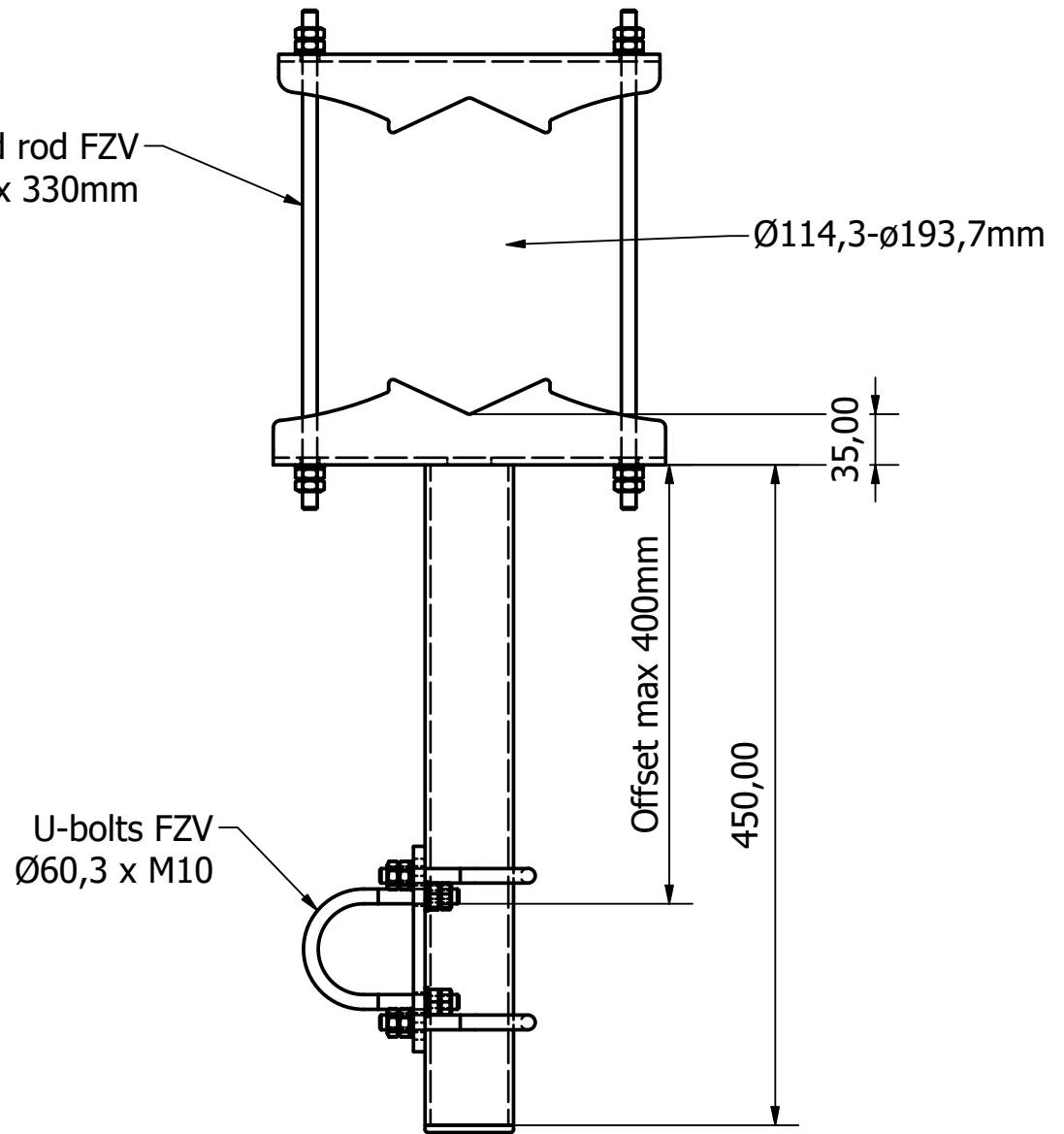


Threaded rod FZV
M10 x 330mm

Ø114,3-Ø193,7mm

U-bolts FZV
Ø60,3 x M10



Steel quality

Steel: s235/s355

Bolts: 8.8 FZV

U-bolts: s355 FZV

Threaded rod: s355 FZV

Performance

Max vertical load from equipment per bracket: 75kg

Max horizontal load from equipment per bracket: 1,5kN

Max geometric equipment area per bracket: 0,75m²

Max installation height: 70meter

Terrain classification: TC1


Reference wind speed: 27m/s

M10 nut tightening torque: 30Nm

M10 2nd nut tightening torque: 47Nm

Installation and maintenance guides are available on our website www.telecomsteel.com

Item number	
Size	1 arm
44368	

Designed by ABP	Checked by	Approved by	Date	Date 17-09-2024
 TELECOMSTEEL DANISH DESIGN & QUALITY			Extra bracket ø114,3-ø193,7mm adj 400mm	
			Revision B	Sheet 1 / 1