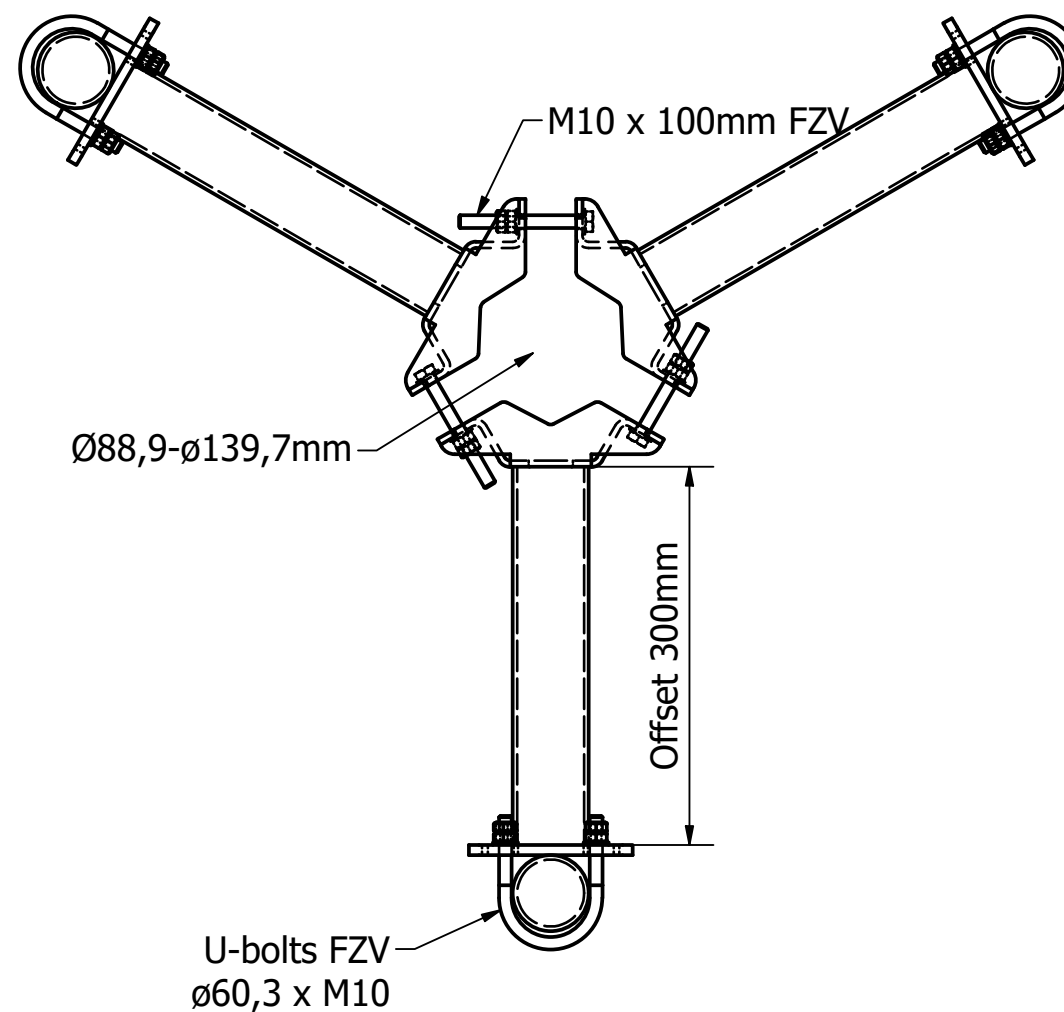



Steel quality
 Steel: s235/s355
 Bolts: 8.8 FZV
 U-bolts: s355 FZV

Performance
 Max vertical load from equipment per pole: 260kg
 Max horizontal load from equipment per pole: 5kN
 Max geometric equipment area per pole: 2,5m²
 Max installation height: 70meter
 Terrain classification: TC1
 Reference wind speed: 27m/s
 M10 nut tightening torque: 30Nm
 M10 2nd nut tightening torque: 47Nm

Installation and maintenance guides are available on our website www.telecomsteel.com



Item numbers	
Size	3arm
2000mm	41023-E
2500mm	41033-E
3000mm	41043-E
3500mm	41053-E
4000mm	41063-E

Designed by ABP	Checked by	Approved by	Date	Date 05-10-2024
 TELECOMSTEEL DANISH DESIGN & QUALITY			AO Ø88,9-Ø139,7mm 300mm_extra bracket	
			Revision C	Sheet 1 / 1