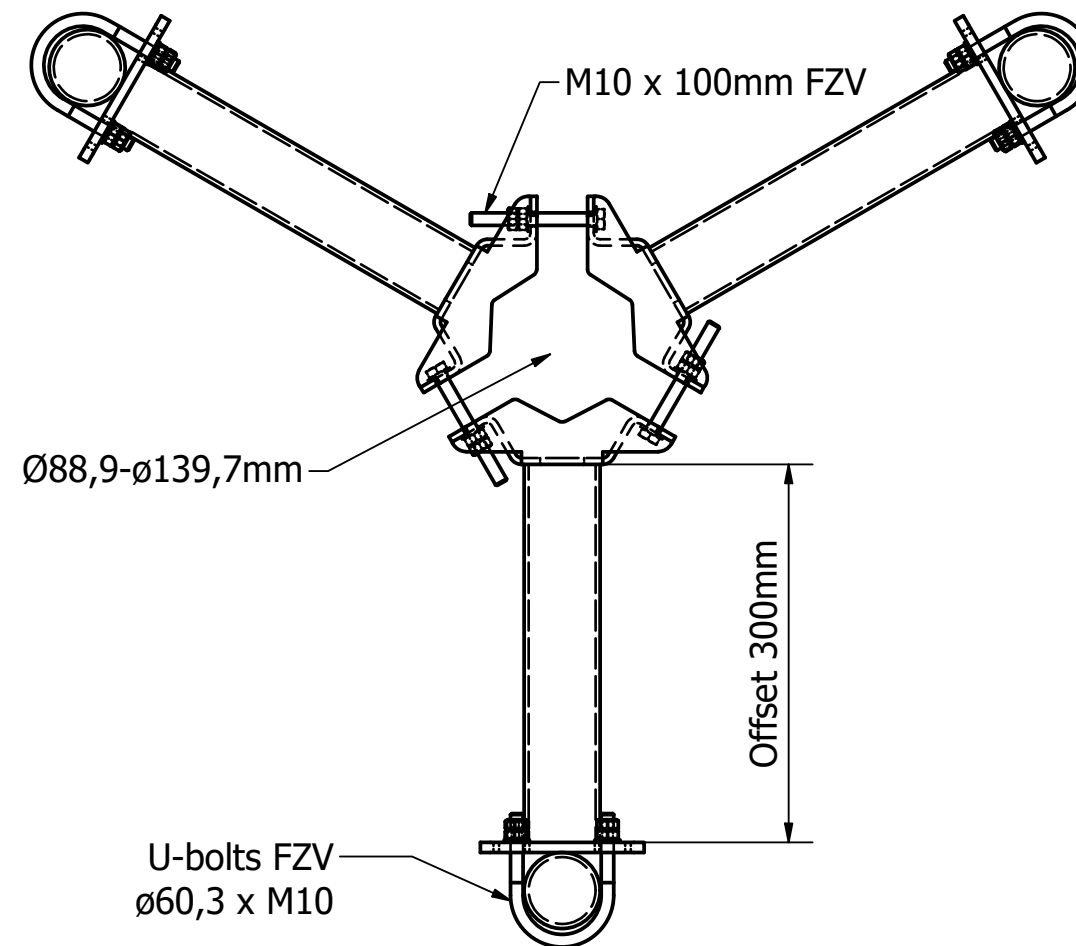



Steel quality
 Steel: s235/s355
 Bolts: 8.8 FZV
 U-bolts: s355 FZV

Performance
 Max vertical load from equipment per pole: 175kg
 Max horizontal load from equipment per pole: 3,4kN
 Max geometric equipment area per pole: 1,7m²
 Max installation height: 70meter
 Terrain classification: TC1
 Reference wind speed: 27m/s
 M10 nut tightening torque: 30Nm
 M10 2nd nut tightening torque: 47Nm

Installation and maintenance guides are available on our website www.telecomsteel.com



Item numbers		
Size	2arm	3arm
1000mm	41002	41003
1500mm	41012	41013
2000mm	41022	41023
2500mm	41032	41033
3000mm	41042	41043
3500mm	41052	41053
4000mm	41062	41063

Designed by ABP	Checked by	Approved by	Date	Date 16-09-2024
 TELECOMSTEEL DANISH DESIGN & QUALITY		AO Ø88,9-Ø139,7mm 300mm		
		Revision B	Sheet 1 / 1	