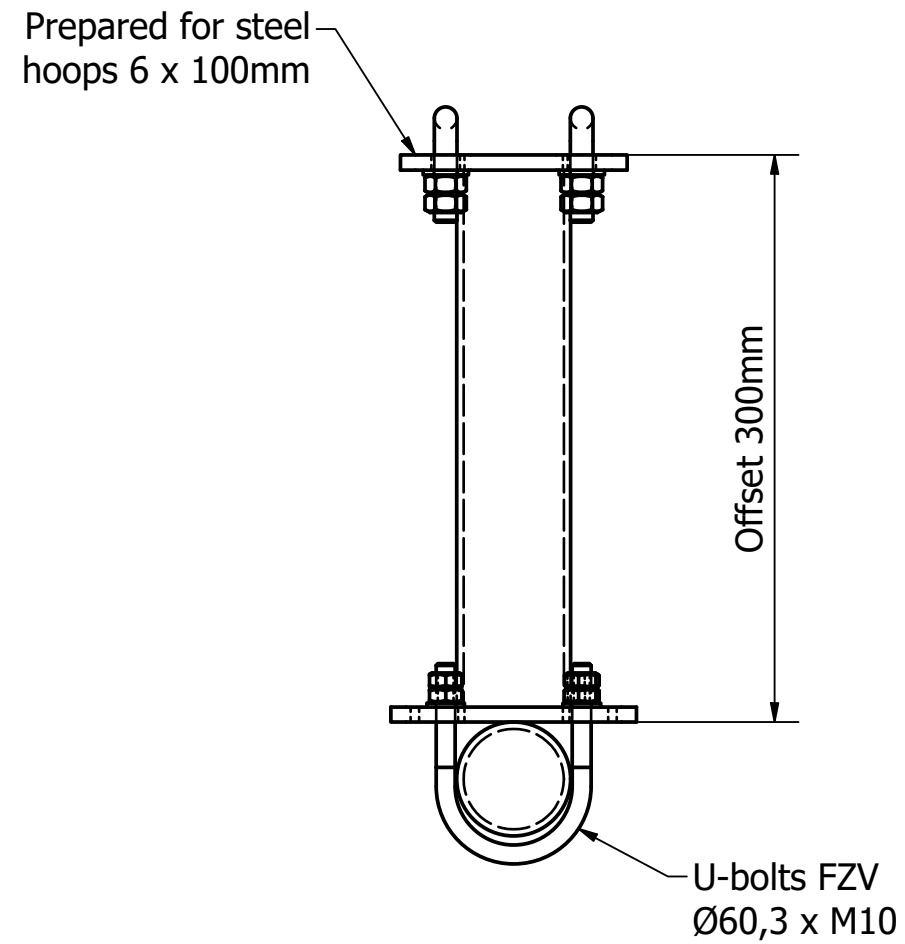



Steel quality
 Steel: s235/s355
 U-bolts: s355 FZV/stainless A2

Performance
 Max vertical load from equipment per pole: 175kg
 Max horizontal load from equipment per pole: 3,4kN
 Max geometric equipment area per pole: 1,7m²
 Max installation height: 70meter
 Terrain classification: TC1
 Reference wind speed: 27m/s
 M10 nut tightening torque: 30Nm
 M10 2nd nut tightening torque: 47Nm
 M12 nut tightening torque: 30Nm
 M12 2nd nut tightening torque: 48Nm

Installation and maintenance guides are available on our website www.telecomsteel.com



Item numbers							
Size	1000mm	1500mm	2000mm	2500mm	3000mm	3500mm	4000mm
	46000	46010	46020	46030	46040	46050	46060

Designed by ABP	Checked by	Approved by	Date	Date 18-09-2024	
 TELECOMSTEEL DANISH DESIGN & QUALITY			SP steel hoop 300mm		
			Revision B	Sheet 1 / 1	