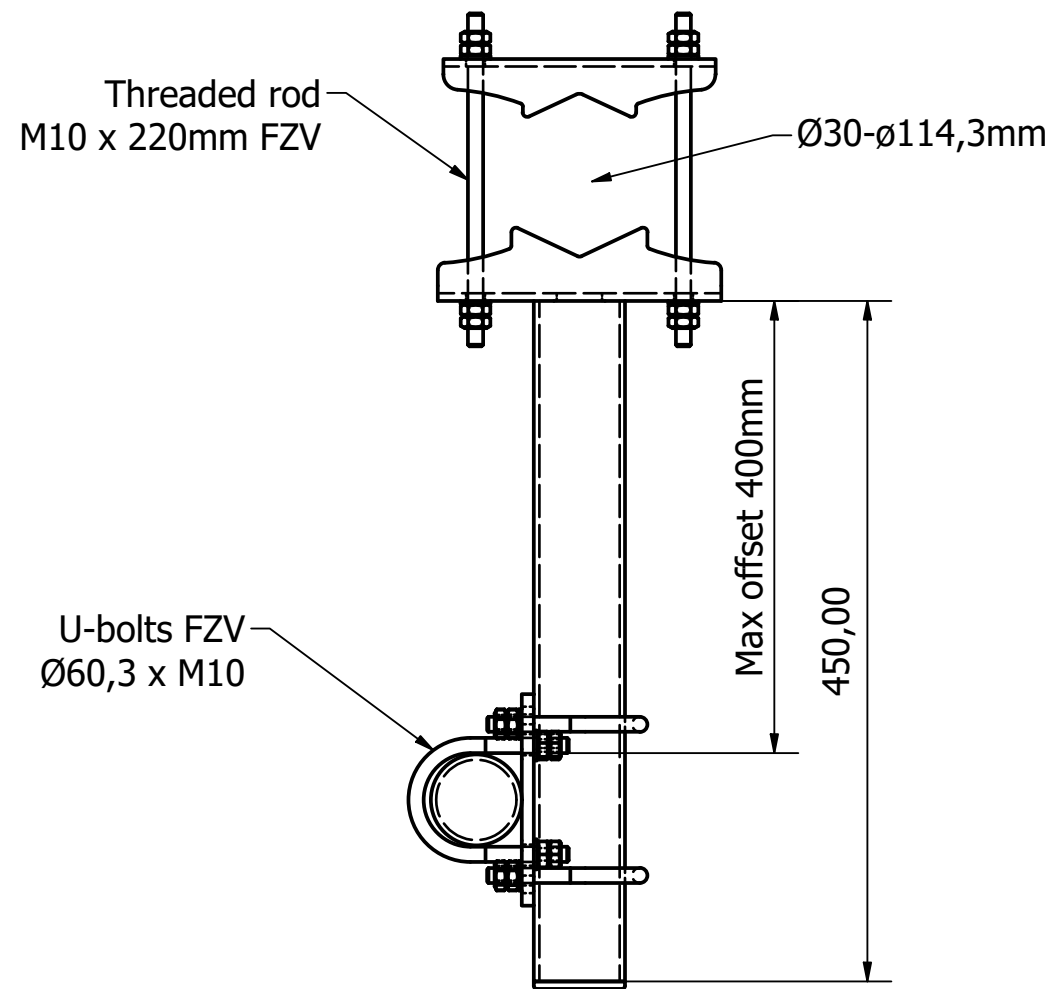


Steel quality
 Steel: s235/s355
 Bolts: 8.8 FZV
 U-bolts: s355 FZV
 Threaded rod: s355 FZV


Performance

Max vertical load from equipment per pole: 150kg
 Max horizontal load from equipment per pole: 3,0kN
 Max geometric equipment area per pole: 1,5m²
 Max installation height: 70meter
 Terrain classification: TC1
 Reference wind speed: 27m/s
 M10 nut tightening torque: 30Nm
 M10 2nd nut tightening torque: 47Nm

Installation and maintenance guides are available on our website www.telecomsteel.com



| Item numbers | | | | | | | |
|--------------|--------|--------|--------|--------|--------|--------|--------|
| Size | 1000mm | 1500mm | 2000mm | 2500mm | 3000mm | 3500mm | 4000mm |
| | 44200 | 44210 | 44220 | 44230 | 44240 | 44250 | 44260 |

| | | | | |
|--|------------|-------------|--------------------------------|--------------------|
| Designed by ABP | Checked by | Approved by | Date | Date 17-09-2024 |
|  TELECOMSTEEL DANISH DESIGN & QUALITY | | | SP mast ø30-ø114,3mm adj 400mm | |
| | | | Revision B | Sheet 1 / 1 |