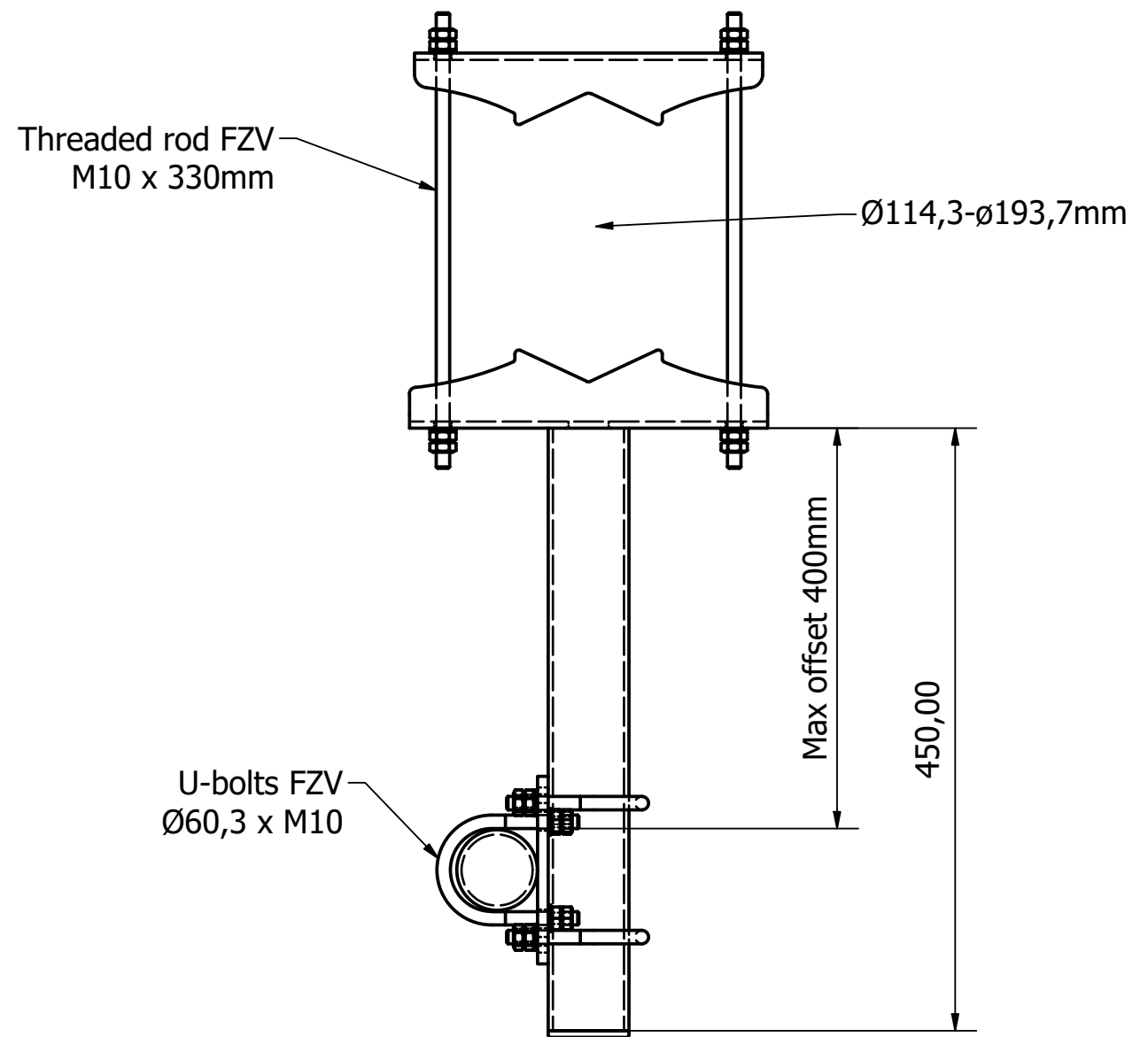


Steel quality  
 Steel: s235/s355  
 Bolts: 8.8 FZV  
 U-bolts: s355 FZV  
 Threaded rod: s355 FZV


Performance

Max vertical load from equipment per pole: 150kg  
 Max horizontal load from equipment per pole: 3,0kN  
 Max geometric equipment area per pole: 1,5m<sup>2</sup>  
 Max installation height: 70meter  
 Terrain classification: TC1  
 Reference wind speed: 27m/s  
 M10 nut tightening torque: 30Nm  
 M10 2nd nut tightening torque: 47Nm

Installation and maintenance guides are available on our website [www.telecomsteel.com](http://www.telecomsteel.com)



Item numbers							
Size	1000mm	1500mm	2000mm	2500mm	3000mm	3500mm	4000mm
	44300	44310	44320	44330	44340	44350	44360

Designed by ABP	Checked by	Approved by	Date	Date 17-09-2024
 <b>TELECOMSTEEL</b> DANISH DESIGN & QUALITY			SP mast ø114,3-ø193,7mm adj 400mm	
			Revision <b>B</b>	Sheet 1 / 1