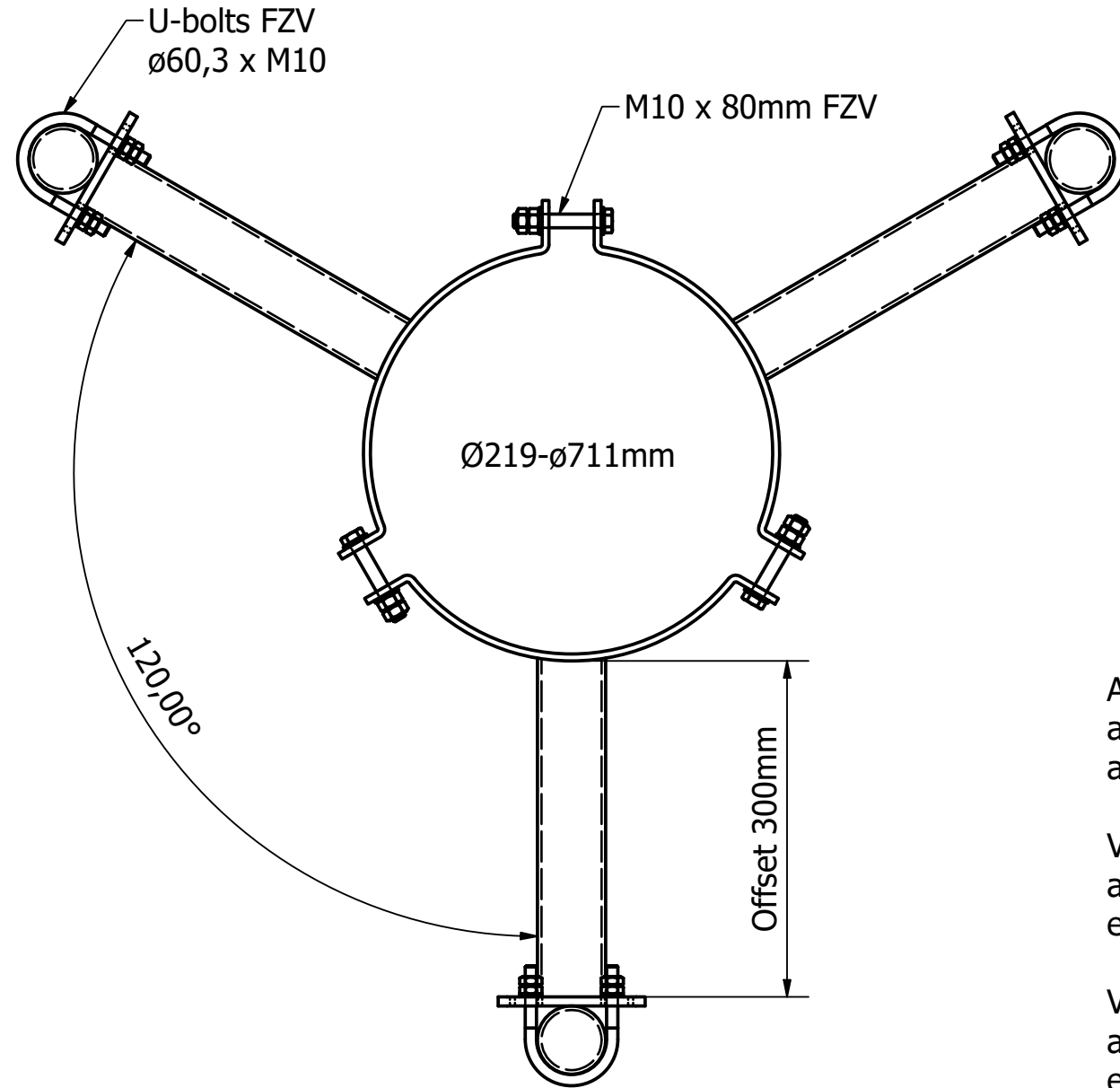


Steel quality
 Steel: s235/s355
 Bolts: 8.8 FZV
 U-bolts: s355 FZV

Performance

Max vertical load from equipment per pole: 175kg
 Max horizontal load from equipment per pole: 3,4kN
 Max geometric equipment area per pole: 1,7m²
 Max installation height: 70meter
 Terrain classification: TC1
 Reference wind speed: 27m/s
 M10 nut tightening torque: 30Nm
 M10 2nd nut tightening torque: 47Nm

Installation and maintenance guides are available on our website www.telecomsteel.com




All listed item numbers are variants with 3 arms and ends with "3".

Variants with 1 arm are also available and ends with "1".

Variants with 2 arms are also available and ends with "2".

Size	Item numbers						
	1000mm	1500mm	2000mm	2500mm	3000mm	3500mm	4000mm
Ø219mm	41203	41213	41223	41233	41243	41253	41263
Ø254mm	41273	41283	41293	41303	41313	41323	41333
Ø273mm	41343	41353	41363	41373	41383	41393	41403
Ø324mm	41413	41423	41433	41443	41453	41463	41473
Ø356mm	41483	41493	41503	41513	41523	41533	41543
Ø458mm	41553	41563	41573	41583	41593	41603	41613
Ø558mm	41623	41633	41643	41653	41663	41673	41683
Ø660mm	41693	41703	41713	41723	41733	41743	41753
Ø711mm	41763	41773	41783	41793	41803	41813	41823

Designed by ABP	Checked by	Approved by	Date	Date 07-10-2024
 TELECOMSTEEL DANISH DESIGN & QUALITY			Extra bracket ø219-ø711mm 300mm	
			Revision C	Sheet 1 / 1