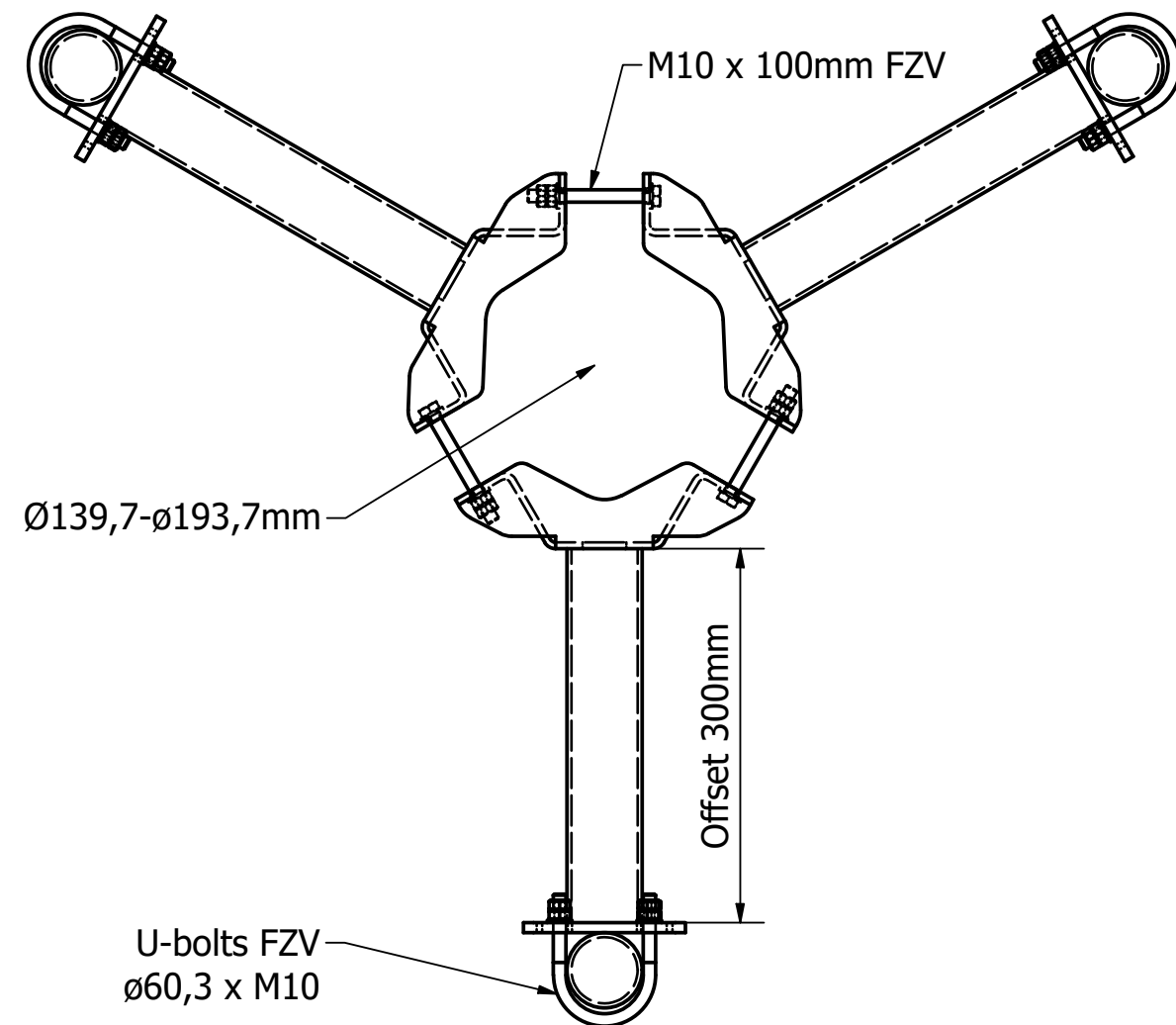


Steel quality
 Steel: s235/s355
 Bolts: 8.8 FZV
 U-bolts: s355 FZV


Performance

Max vertical load from equipment per pole: 175kg
 Max horizontal load from equipment per pole: 3,4kN
 Max geometric equipment area per pole: 1,7m²
 Max installation height: 70meter
 Terrain classification: TC1
 Reference wind speed: 27m/s
 M10 nut tightening torque: 30Nm
 M10 2nd nut tightening torque: 47Nm

Installation and maintenance guides are available on our website www.telecomsteel.com



Item numbers		
Size	2arm	3arm
1000mm	41102	41103
1500mm	41112	41113
2000mm	41122	41123
2500mm	41132	41133
3000mm	41142	41143
3500mm	41152	41153
4000mm	41162	41163

Designed by ABP	Checked by	Approved by	Date	Date 16-09-2024
 TELECOMSTEEL DANISH DESIGN & QUALITY			AO Ø139,7-Ø193,7 300mm	
			Revision B	Sheet 1 / 1